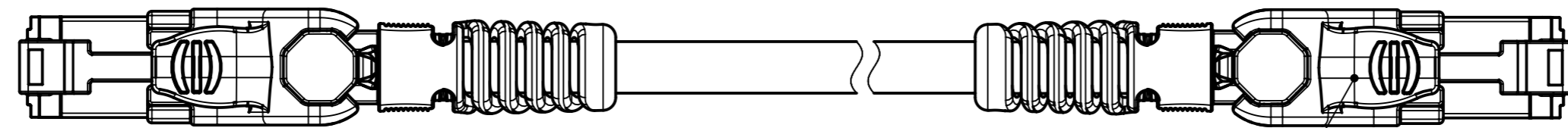
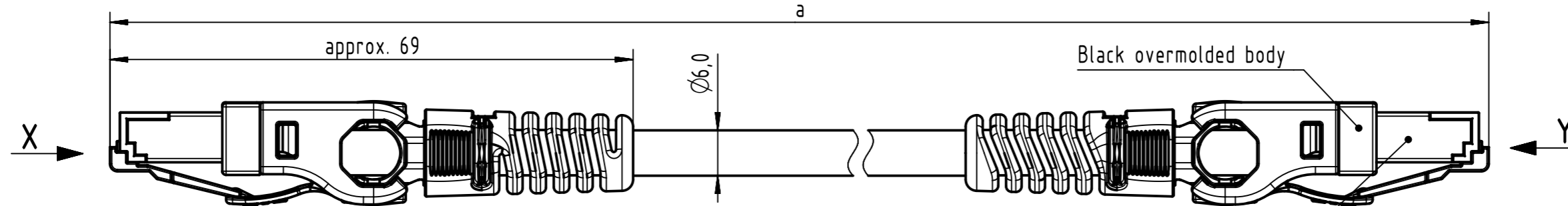


Connector Location A

Connector Location B



Black protection latch with HARTING logo



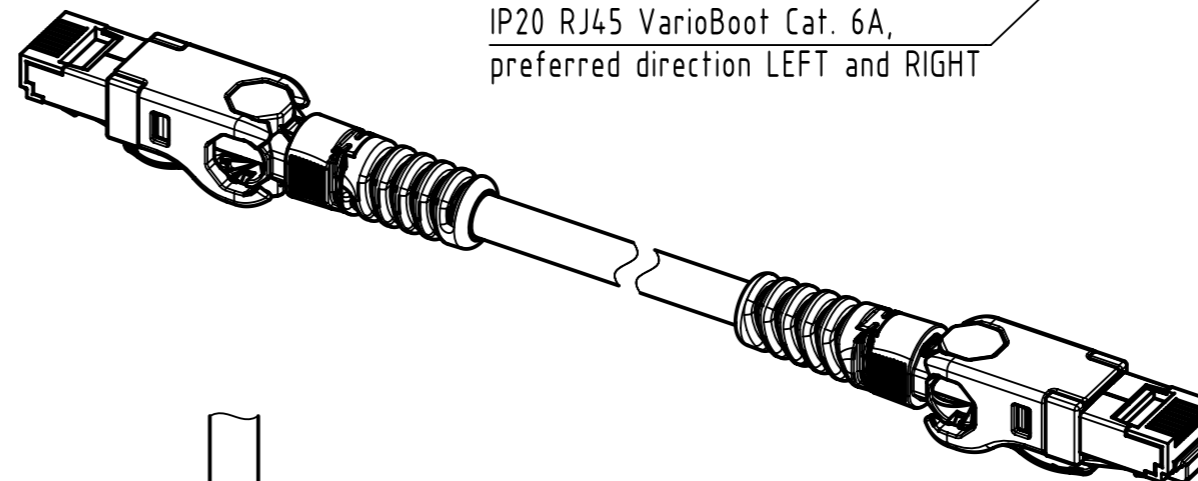
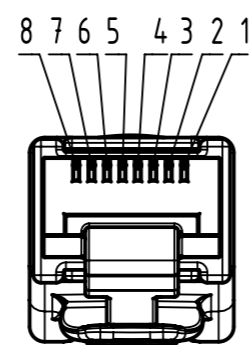
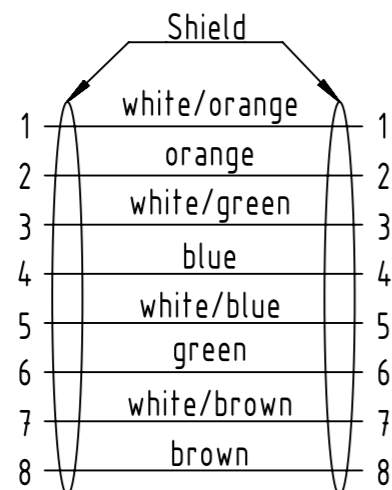
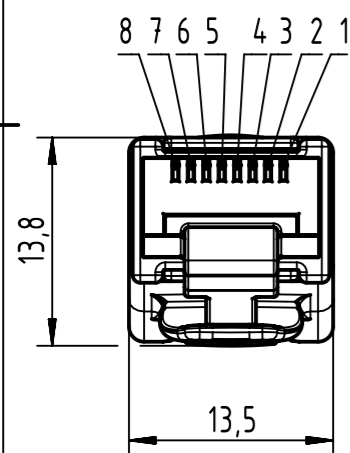
Black overmolded body

IP20 RJ45 VarioBoot Cat. 6A, preferred direction LEFT and RIGHT

X male

Loading Plan acc. to TIA/EIA 568B

Y male



6.0 to 45	±1%
0.6 to 5.9	+0.04
0.2 to 0.5	+0.02
a [m]	Tolerance

length in "1m" step	45	XXX=450
	44	XXX=440
	12	XXX=120
	11	XXX=110
length in "0.1m" step	10	XXX=100
	9.9	XXX=099
	9.8	XXX=098
	0.5	XXX=005
	0.4	XXX=004
	0.3	XXX=003
	0.2	XXX=002
Step	a [m]	XXX

Temperature range:  
 - Fixed installation: -20°C ... +60°C  
 - Dynamic installation: 0°C ... +50°C

NOTE:  
 -Direction of the cable outlet can be changed up to 20x  
 -Mating face RJ45 acc. to IEC 60603-7 for both connectors

For lengths < 1.0m:  
 - relative positioning of the connectors to each other will be as presented in the drawing, however with an admissible angular deviation around cable axis of ± 30°  
 For lengths ≥ 1.0m:  
 -relative positioning of the connectors to each other not obligatory

Cat. 7 FRNC Ethernet Cable, AWG 26/7, S/FTP, blue

09488585589XXX

Type of cable

Part no.

	All Dimensions in mm	Tech. Character.		Free size tol.		According to production drawing	
	All rights reserved Department HCS - RO	Created by 402990 Costa	Inspected by COSTEA Costea	Standardisation MUNTEANV Muntean	Date 2020-11-26	State Final Release	
HARTING Customised Solutions D-32339 Espelkamp		Title VB RJ45 LaR - VB RJ45 LaR Cat.6A FRNC blue				Doc-Key / ECM-Nr. 100834038/UGD/000/C 500000183440	
		Type TB	Number 09488585589XXX			Rev. C	Page 1/1